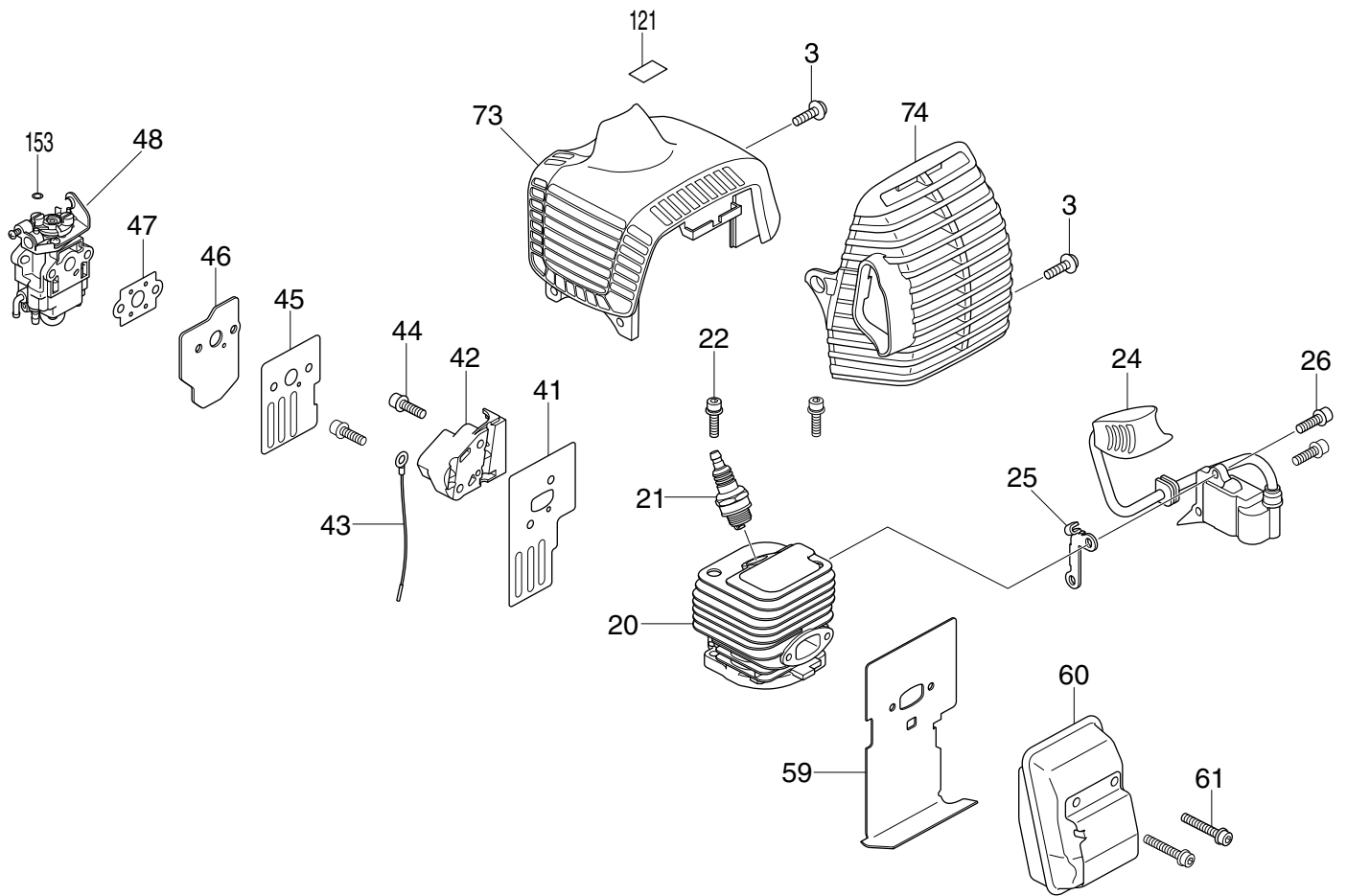


DOLMAR

PARTS BREAKDOWN

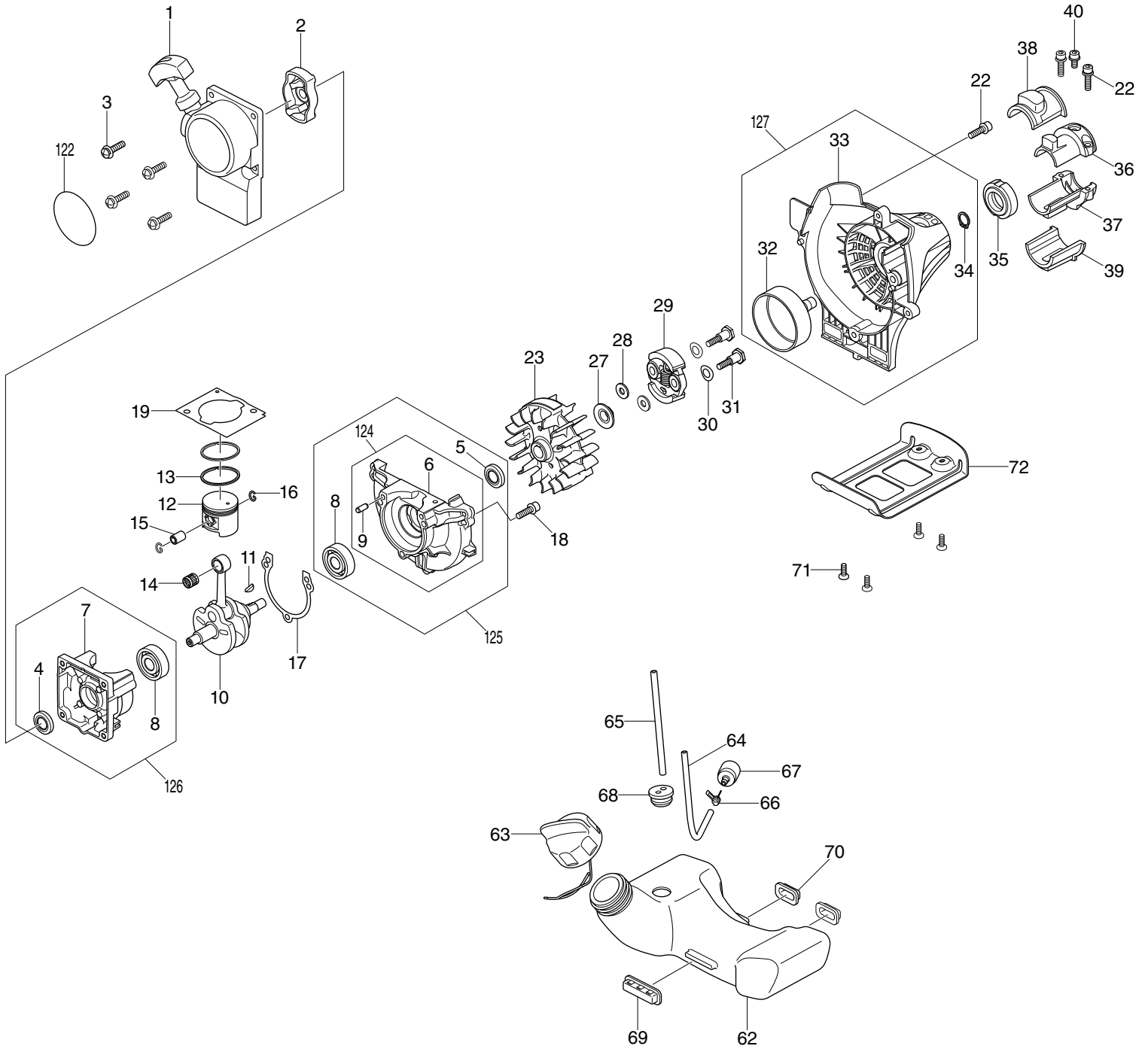
MS-27C



Products with multiple versions are listed in subsiding order with the newest version on top not indented.

Corresponding technical bulletins are listed.

Section	Fig. No.	Part No.	Description	MS-27C	Tech Bulletin	Notes
1	3	DA00000096	SCREW & WASHER ASS'Y	8		
1	20	DA00000392	CYLINDER	1		
1	21	965-603-021	SPARK PLUG	1		
1	22	DA00000080	SOCKET HEAD BOLT M5X20	7		M5X20
1	24	DA00000394	IGNITION COIL ASSY	1		
1	25	DA00000395	INSULATOR,IGNITION COIL	1		
1	26	DA00000396	SOCKET HAED BOLT M4	2		M4
1	41	DA00000411	GASKET,INSULATOR	1		
1	42	DA00000412	INSULATOR	1		
1	43	DA00000413	WIRE COMPL	1		
1	44	DA00000137	SOCKET HEAD BOLT M5X25	7		M5X25
1	45	DA00000414	GASKET,CARBURETOR	1		
1	46	DA00000415	INSULATOR,CARBURETOR	1		
1	47	DA00000416	GASKET,CARBURETOR	1		
1	48	DA00000417	CARBURETOR	1		
1	59	DA00000425	GASKET,MUFFLER	1		
1	60	DA00000426	MUFFLER,EXHAUST	1		
1	61	DA00000427	SOCKET HEAD BOLT M5X50(W)	2		M5X50(W)
1	73	DA00000434	CYLINDER COVER	1		
1	74	DA00000435	MUFFLER COVER	1		
1	121	DA00000442	LABEL	1		
1	153	DA00000459	HOLDER	1		



Products with multiple versions are listed in subsiding order with the newest version on top not indented.

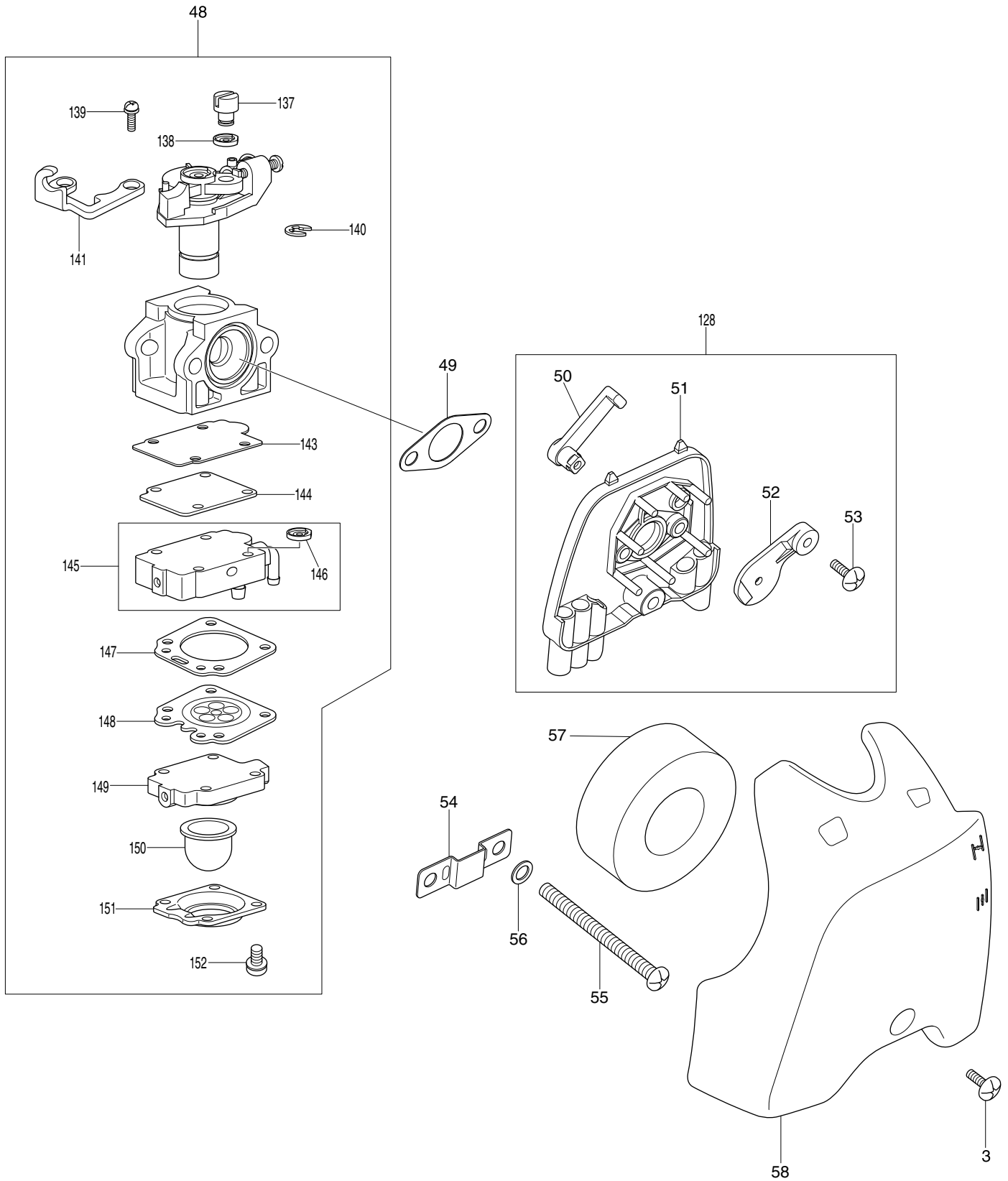
Corresponding technical bulletins are listed.

Section	Fig. No.	Part No.	Description	MS-27C	Tech Bulletin	Notes
2	1	DA00000379	STARTER,REWIND ASSY	1		
2	2	DA00000380	PULLEY	1		
2	3	DA00000096	SCREW & WASHER ASS'Y	8		
2	4	DA00000064	OIL SEAL	1		
2	5	DA00000381	OIL SEAL	1		
2	6	DA00000382	CRANKCASE1	1		
2	7	DA00000383	CRANKCASE2	1		
2	8	DA00000384	BALL BEARING	2		
2	9	DA00000385	KNOCK	2		
2	10	DA00000386	CRANKSHAFT COMPL	1		
2	11	DA00000077	WOODRUFF KEY	1		
2	12	DA00000387	PISTON	1		
2	13	DA00000388	RING,PISTON	2		
2	14	DA00000073	NEEDLE BEARING 8	1		
2	15	DA00000389	PIN,PISTON	1		
2	16	DA00000071	CLIP	2		
2	17	DA00000390	GASKET,CRANKCASE	1		
2	18	DA00000134	HEX. SOCKET HEAD BOLT M5X30	3		M5X30
2	19	DA00000391	GASKET,CYLINDER	1		
2	22	DA00000080	SOCKET HEAD BOLT M5X20	7		M5X20
2	23	DA00000393	FLYWHEEL COMPL	1		
2	27	DA00000397	NUT,M6	1		M6
2	28	DA00000398	WASHER	2		
2	29	DA00000399	CLUTCH ASS'Y	1		
2	30	DA00000400	WASHER	2		
2	31	DA00000401	BOLT,CLUTCH	2		
2	32	DA00000402	DRUM,CLUTCH COMPL	1		
2	33	DA00000404	CLUTCH CASE	1		
2	34	DA00000092	OUTER SNAP RING	1		
2	35	DA00000405	BUFFER RUBBER	1		
2	36	DA00000406	PIPE HOLDER	1		
2	37	DA00000407	PIPE HOLDER	1		
2	38	DA00000408	BUFFER RUBBER	1		
2	39	DA00000409	BUFFER RUBBER	1		
2	40	DA00000410	SOCKET HEAD BOLT M5X12(SW)	1		M5X12(SW)
2	62	DA00000509	FUEL TANK	1		
2	63	168668-9	FUEL TANK CAP COMPLETE	1		

Products with multiple versions are listed in subsiding order with the newest version on top not indented.

Corresponding technical bulletins are listed.

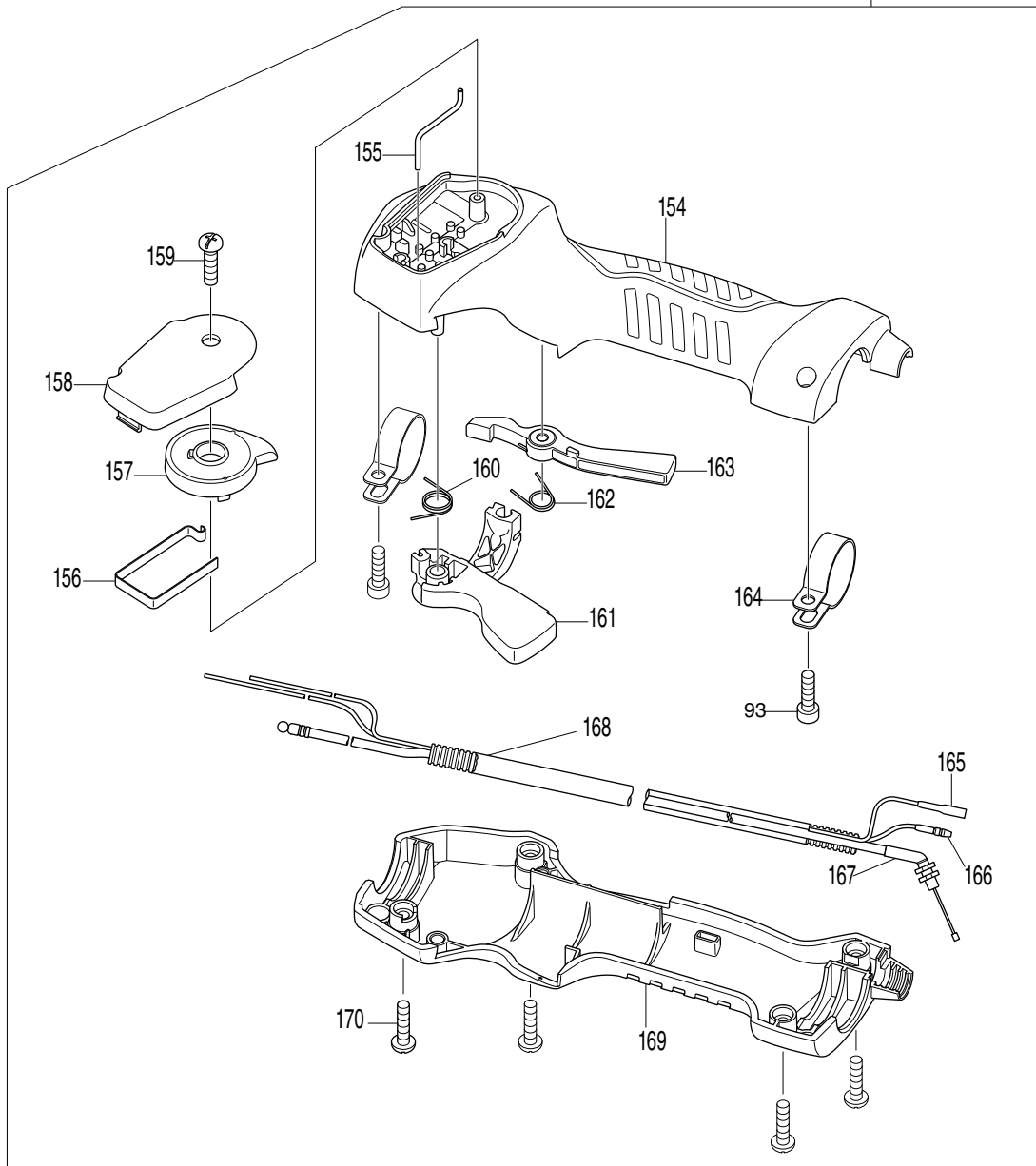
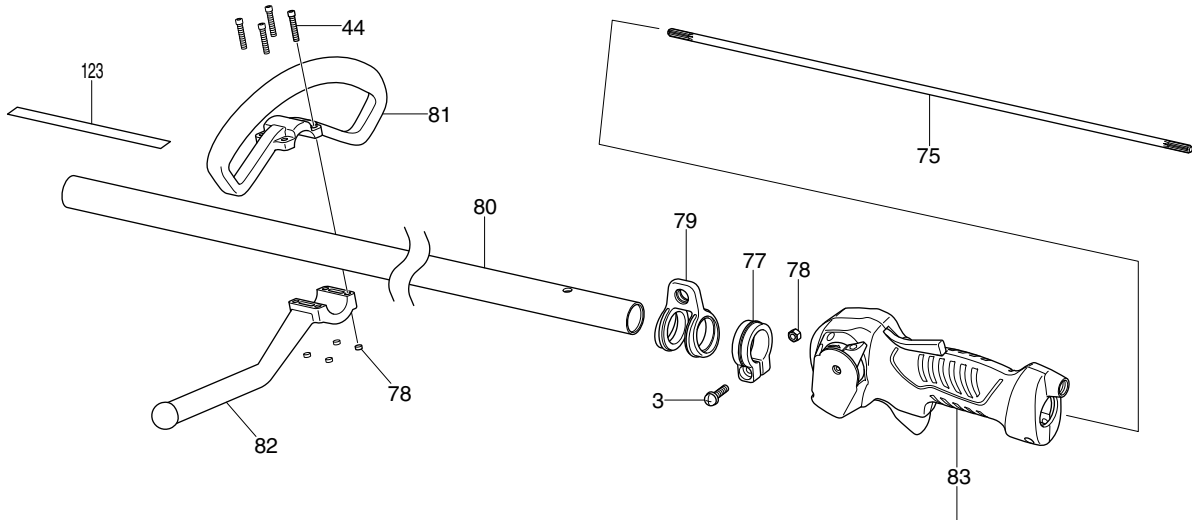
Section	Fig. No.	Part No.	Description	MS-27C	Tech Bulletin	Notes
2	64	DA00000510	TUBE L	1		
2	65	DA00000511	TUBE S	1		
2	66	345920-4	HOSE CLAMP	1		
2	67	320-163-447	FILTER	1		
2	68	DA00000118	GROMMET	1		
2	69	DA00000429	BUFFER RUBBER	1		
2	70	DA00000430	BUFFER RUBBER	2		
2	71	DA00000432	TAPPING SCREW 4X12	4		4X12
2	72	DA00000431	STAND	1		
2	122	DA00000444	LABEL,MODEL	1		MS-27 C
2	124	DA00000447	CRANKCASE ASS'Y	1		
2	125	DA00000448	CRANKCASE 1 ASS'Y	1		
2	126	DA00000449	CRANKCASE 2 ASS'Y	1		
2	127	DA00000450	CLUTCH CASE COMPLETE	1		



Products with multiple versions are listed in subsiding order with the newest version on top not indented.

Corresponding technical bulletins are listed.

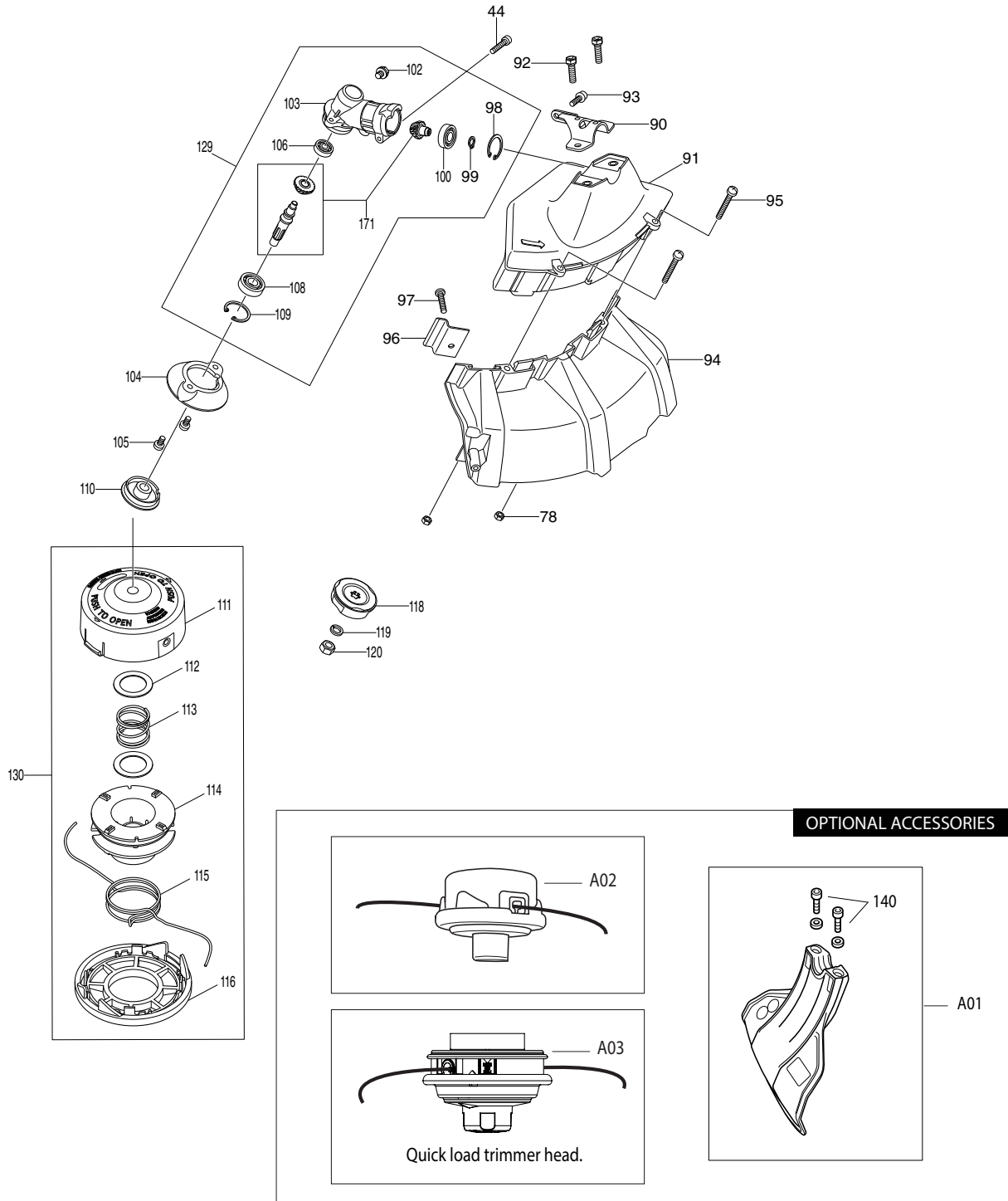
Section	Fig. No.	Part No.	Description	MS-27C	Tech Bulletin	Notes
3	3	DA00000096	SCREW & WASHER ASS'Y	8		
3	48	DA00000417	CARBURETOR	1		
3	49	DA00000418	GASKET,CARBURETOR	1		
3	50	DA00000419	CHOCK LEVER	1		
3	51	DA00000420	CLEANER PLATE	1		
3	52	DA00000421	CHOCK PLATE	1		
3	53	DA00000422	TAPPING SCREW 3X10	1		3X10
3	54	DA00000106	PLATE	1		
3	55	DA00000107	PAN HEAD SCREW M5X63	2		M5X63
3	56	DA00000198	SPRING WASHER	2		
3	57	DA00000423	AIR FILTER	1		
3	58	DA00000424	AIR CLEANER COVER	1		
3	128	DA00000452	PLATE,AIR CLEANER ASSY	1		
3	137	524-60012-10	SWIVEL	1		
3	138	413140-9	WASHER	1		
3	139	526-60090-20	SCREW	2		
3	140	257964-1	STOP RING E-3	1		
3	141	526-60090-30	CABLE BRACKET	1		
3	143	442155-9	PUMP GASKET	1		
3	144	168575-6	PUMP DIAPHRAGM	1		
3	145	526-60020-10	PUMP BODY ASSEMBLY	1		
3	146	352010-6	INLET SCREEN	1		
3	147	442154-1	METERING DIAPHRAGM GASKET	1		
3	148	168620-7	METERING DIAPHRAGM	1		
3	149	140988-3	AIR PURGE BODY ASSEMBLY	1		
3	150	424314-7	PRIMER PUMP	1		
3	151	346270-0	PRIMER PUMP COVER	1		
3	152	266582-4	TAPPING SCREW 3X24	4		



Products with multiple versions are listed in subsiding order with the newest version on top not indented.

Corresponding technical bulletins are listed.

Section	Fig. No.	Part No.	Description	MS-27C	Tech Bulletin	Notes
4	3	DA00000096	SCREW & WASHER ASS'Y	8		
4	44	DA00000137	SOCKET HEAD BOLT M5X25	7		M5X25
4	75	DA00000436	SHAFT	1		
4	77	DA00000129	HANGER STOPPER	1		
4	78	DA00000130	NUT M5	7		M5
4	79	DA00000131	HANGER	1		
4	80	DA00000437	PIPE,SHAFT COMPL	1		
4	81	DA00000374	HANDLE HOLDER 3	1		
4	82	DA00000438	HANDLE INSTALLATION BOARD	1		
4	83	DA00000439	CONTROL LEVER ASSEMBLY	1		
4	93	DA00000143	SOCKET HEAD BOLT M5X14 (W,SW)	3		M5X14 (W,SW)
4	154	DA00000460	LEVER CASE L	1		
4	155	DA00000461	LOCK PIN	1		
4	156	DA00000462	LEAF SPRING	1		
4	157	DA00000463	SWITCHLEVER	1		
4	158	DA00000464	SWITCH COVER	1		
4	159	DA00000465	TAPPING SCREW PT3X16	1		PT3X16
4	160	DA00000466	TORSION SPRING	1		
4	161	DA00000467	THROTTLE LEVER	1		
4	162	DA00000468	TORSION SPRING	1		
4	163	DA00000469	LOCK LEVER	1		
4	164	DA00000470	CLAMP 24	2		
4	165	DA00000471	LEAD UNIT	1		
4	166	DA00000472	LEAD UNIT	1		
4	167	DA00000473	CONTROL CABLE	1		
4	168	DA00000474	CORRUGATE,TUBE	1		
4	169	DA00000475	LEVER CASE R	1		
4	170	DA00000476	TAPPING SCREW PT4X18	4		PT4X18



Products with multiple versions are listed in subsiding order with the newest version on top not indented.

Corresponding technical bulletins are listed.

Section	Fig. No.	Part No.	Description	MS-27C	Tech Bulletin	Notes
5	44	DA00000137	SOCKET HEAD BOLT M5X25	7		M5X25
5	78	DA00000130	NUT M5	7		M5
5	90	DA00000144	PROTECTOR CLAMP	1		
5	91	DA00000145	PROTECTOR ASSY	1		
5	92	DA00000142	CROSSRECESS BOLT M6X23	2		M6X23
5	93	DA00000143	SOCKET HEAD BOLT M5X14 (W,SW)	3		M5X14 (W,SW)
5	94	DA00000147	PROTECTOR	1		
5	95	DA00000146	SCREW ASSEMBLY M5X40	2		M5X40
5	96	DA00000148	CUTTER	1		
5	97	DA00000149	TAPPING SCREW, ST5X25	1		ST5X25
5	98	DA00000150	INNER SNAP RING	1		
5	99	DA00000151	OUTER SNAP RING	1		
5	100	DA00000152	BALL BEARING #609ZZ	1		#609ZZ
5	102	DA00000154	OIL BOLT M6X8	1		M6X8
5	103	DA00000155	GEAR CASE	1		
5	104	DA00000156	GUARD	1		
5	105	DA00000157	SCREW ASSEMBLY,M5X25	2		M5X25
5	106	DA00000158	BALL BEARING 626ZZ	1		626ZZ
5	108	DA00000160	BALL BEARING 6000DDU	1		6000DDU
5	109	DA00000161	INNER SNAP RING	1		
5	110	DA00000162	RECEIVE WASHER	1		
5	111	DA00000440	BODY,CUTTING	1		
5	112	DA00000164	SPRING SEAT	2		
5	113	DA00000165	SPRING	1		
5	114	DA00000166	REEL	1		
5	115	DA00000167	NYLON LINE	1		
5	116	DA00000168	BODY CAP	1		
5	118	DA00000170	WASHER CLAMP COMPL	1		
5	119	DA00000171	SPRING WASHER	1		
5	120	DA00000172	NUT	1		
5	129	DA00000453	GEAR CASE ASSY	1		
5	130	DA00000500	NYLON CORD SET	1		
5	140	266575-1	HEX. HEAD BOLT M6X30	2		
5	171	DA00000378	GEAR ASSEY	1		
5	A01	196117-6	PROTECTOR SET, EM2650LH	1		
5	A02	B-02951	NYLON CORD CUTTER, RBC251	1		DIATOP
5	A03	T-02917	BUMP & FEED TRIMMER HEAD	1		SPEED FEED